

SUPPLIER	ŠKRLJ d.o.o.	MACHINE	BRITE TANKS	YEAR	4/2015
CATEGORY	TANKS	TYPE	LTI / LTX	SERIE	-

Comprehensive solutions for small and medium-size breweries

Standards in the beer brewing and beverage industry are very high.

SK Group designs and manufactures various types of storage and fermentation vessels which are used under atmospheric pressure. All vessels are manufactured according to the PED Directive (97/23/EC) which ensure a safe and high quality working vessel.

In designing and manufacturing equipment, our customers' requirements and requirements of good engineering are the top priorities in the manufacturing process.

Management, planning and production systems are regulated according to the ISO9001 standards.



Cylindrical pressure tanks with dished bottoms. They are available in two designs:

- model **LTX** - tanks without insulation
- model **LTI** - tanks with insulation

Tanks are equipped with laser welded heat exchangers (pillow-plate). Separate cooling zones can be individually controlled. CIP tube and a cleaning head included.

The materials used and the surface finishing depend on the intended application and the customers' specifications.

Standard tanks:	
volume	from 7 to 120 BBL
material	2B(IIIc), EN1.4301
working pressure in the tank	0/+1 bar
working pressure in the glycol jacket	max. 3 bar
test pressure in the glycol jacket	6 bar

	external	internal
surface	scotch brite	bottom mechanically polished Ra<0,8 µm; tank wall and lid mechanically brushed K180
welds	vertical and horizontal butt welds on the tank wall striped (BP); corner welds cleaned and passivated without brushing (CZZ)	butt welds flat brushed (K180); corner welds brushed (K180)

Heat exchangers (pillow-plates):

- laser welded;
- separate cooling zones which can be individually controlled (one for cooling, the other for heating); the pillow plate is usually installed on the tank wall, but it can also be used on flat or cone-shaped bottoms. The laser-welding technique enables an accurate adjustment to openings, connectors and fittings on the tank surface without losing the cooling surface;
- the surface of the heat exchanger can be brushed, mechanical polished, marbled, scotch brite or sandblasted.

Insulation:

- tank can be partial or entirely insulated,
- insulation material is polyurethane foam or mineral wool,
- insulation is covered with outer insulation jacket, which is welded diffusion resistant on the tank.

Operating pressure:

- tanks for use under atmospheric pressure;
- pressure vessels adapted to the technological process; planning and production according to the Directive 97/23/EC (PED, Module H/H1) is supervised by the notified body for the conformity assessment (TÜV, CE 0531).

Fittings and accessories:

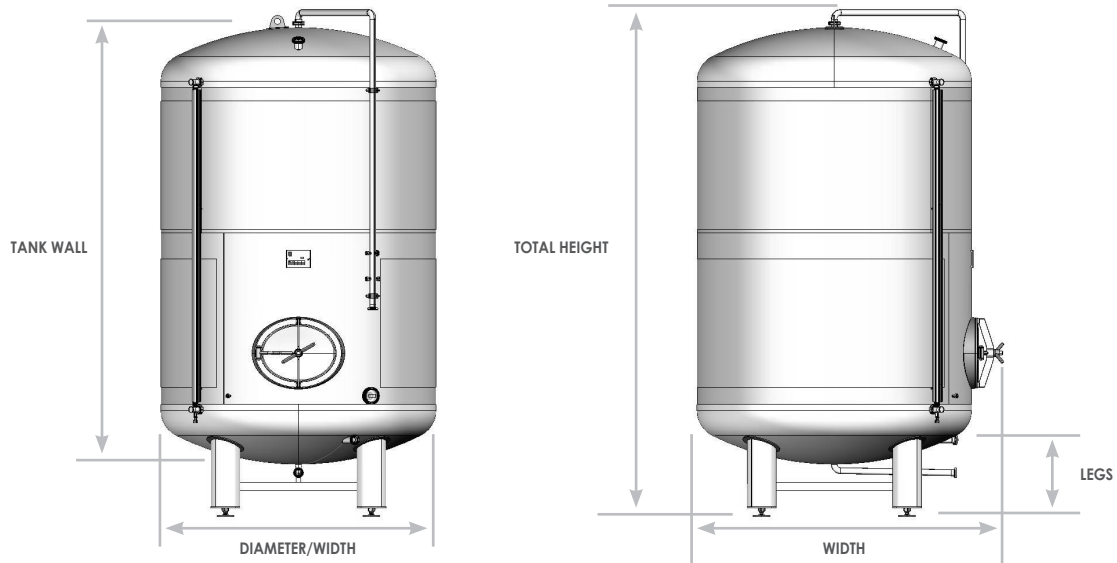
- flange, threaded, TC or other connections
- oval manway on tank jacket
- CIP tube with a cleaning head
- temperature control and regulating equipment: digital thermometer DT5, temperature controller SPR8,
- Vintelligence software
- butterfly valves
- safety valve (spundaparat)
- yeast plug with handle
- sight glasses
- tank legs with the possibility of height regulation as well as other fittings and accessories according to specifications

Materials

In our production processes the following materials are used:

- EN1.4301, AISI 304
- EN1.4401 AISI 316
- EN1.4404 AISI 316L
- EN1.4571, AISI 316Ti
- EN1.4435, AISI 316L
- EN1.4307, AISI 304L

... and others, if thus requested by the customer.



TYPE	NOMINAL VOLUME L (gallon)	THEORETICAL VOLUME L (gallon)	DIAMETER/ WIDTH mm (inch)	TANK WALL mm (inch)	TOTAL HEIGHT mm (inch) CA.	LEGS mm (inch)	WEIGHT kg	WORKING PRESSURE TANK (barg).	WORKING PRESSURE JACKET (barg)	MAX. TEST PRESSURE TANK (barg)	MAX. TEST PRESSURE JACKET (barg).
LTI 820L (7 BBL) / LTX 820L (7 BBL)	820 (216)	1055 (278)	950 (37)	1250 (49)	2100 (82)	400 (15)	266	0_TO_1	3	1.46	6
LTI 1175L (10 BBL) / LTX 1175L (10 BBL)	1175 (310)	1376 (363)	1000 (39)	1500 (59)	2350 (92)	400(15)	313	0_TO_1	3	1.46	6
LTI 1760L (15 BBL) / LTX 1760L (15 BBL)	1760 (464)	2039 (538)	1200 (47)	1500 (59)	2500 (98)	400 (15)	383	0_TO_1	3	1.46	6
LTI 2350L (20 BBL) / LTX 2350L (20 BBL)	2350 (620)	2854 (753)	1400 (55)	1500 (59)	2500 (98)	400 (15)	453	0_TO_1	3	1.46	6
LTI 3520L (30 BBL) / LTX 3520L (30 BBL)	3520 (929)	4028 (1,064)	1500 (59)	1900 (75)	3050 (120)	400 (15)	603	0_TO_1	3	1.46	6
LTI 4695L (40 BBL) / LTX 4695L (40 BBL)	4695 (1,240)	5237 (1,383)	1600 (63)	2200 (86)	3350 (131)	500 (19)	757	0_TO_1	3	1.46	6
LTI 5870 (50 BBL) / LTX 5870 (50 BBL)	5870 (1,550)	6651 (1,757)	1700 (66)	2500 (98)	3650 (143)	500 (19)	868	0_TO_1	3	1.46	6
LTI 7040L (60 BBL) / LTX 7040L (60 BBL)	7040 (1,859)	7744 (2045)	1900 (74)	2250 (88)	3550 (139)	600 (24)	979	0_TO_1	3	1.46	6
LTI 9390L (80 BBL) / LTX 9390L (80 BBL)	9390 (2,480)	10389 (2,744)	2000 (78)	2800 (110)	4100 (161)	600 (24)	1296	0_TO_1	3	1.46	6
LTI 10560L (90 BBL) / LTX 10560L (90 BBL)	10560 (2,789)	11888 (3,140)	2100 (82)	2900 (114)	4350 (171)	600 (24)	1434	0_TO_1	3	1.46	6
LTI 11735L (100BBL) / LTX 11735L (100BBL)	11735 (3100)	13144 (3,472)	2200 (78)	2900 (114)	4400 (173)	600 (24)	1548	0_TO_1	3	1.46	6
LTI11735L (100BBL)V2 / LTX11735L (100BBL)V2	11735 (3100)	13274 (3,506)	2100 (82)	3300 (129)	4800 (188)	600 (24)	1544	0_TO_1	3	1.46	6
LTI 14080L(120 BBL) / LTX 14080L(120 BBL)	14080 (3,720)	15805 (4,164)	2200 (78)	3600 (141)	5100 (200)	600 (24)	1758	0_TO_1	3	1.46	6
LTI 14080L(120 BBL)V2 / LTX 14080L(120 BBL)V2	14080 (3720)	15698 (4,164)	1500 (59)	4000 (157)	5500 (216)	600 (24)	1777	0_TO_1	3	1.46	6

DISCLAIMER: The information contained in this flyer is for general information purposes only. The information is provided by Prospero Equipment Corporation, and while we endeavor to keep the information up to date and correct, we make no representations or warranties of any kind, express or implied, about the completeness, accuracy, reliability, suitability or availability with respect to the website or the information, products, services, or related graphics contained on the flyer for any purpose. All rights not expressly granted are reserved. All copyrights, trademarks, and registered trademarks are the property of their respective owners. All images, text, custom graphics are the property of Prospero Equipment Corp. or their respective owners. The exclusive property are protected by U.S. and international copyright laws. Any other use of such contents, including the reproduction, modification, distribution, transmission, display or performance of the contents of this flyer without the prior written consent of Prospero Equipment Corp. is expressly forbidden.

Corporate Office 123 Castleton Street Pleasantville, NY 10570 Phone: (914) 769-6252 Fax: (914) 769-6786 info@prosperocorp.biz	North 2204 State Route 14 N Geneva, NY 14456-9510 Phone: (315) 719-0480 Fax: (315) 719-0481 geneva@prosperocorp.biz	Northwest 1722 SW HWY 18 Suite B McMinnville, OR 97128 Phone: (503) 472-6767 Fax: (503) 472-6768 northwest@prosperocorp.biz	West Coast 7787 Bell Road Windsor, CA 95492 Phone: (707) 838-2812 Fax: (707) 838-3164 westcoast@prosperocorp.biz	Canada 8100 Trans Canada Hwy - Unit 1 Montreal, Quebec, H4S 1M5 Phone: (514) 336-7117 Fax: (514) 418-2605 canada@prosperocorp.biz	British Columbia Authorized Agent Stefan Buhl Phone: Phone: (250) 317-4378 bc@prosperocorp.biz
---	---	---	--	---	---